

Redmi 1S

Audio 3.5 mm port

Camera

Volume buttons

On/Off button

Tasks

Back

Home USB port



Inserting of SIM card

1. Remove a battery.
2. Insert SIM-card(s) into special slots.
3. Place an SD-card into the slot.
4. Set the battery.
5. Switch the phone on.

Thank you for choosing Redmi 1S

To activate the smartphone, press the power button, which is located on the right side, and hold it for a few seconds. Then follow the setup instructions of your smartphone.

More information

To get more information visit xiaomi-mi.com

MIUI

Redmi 1S is equipped with an operating system, a collection of a variety of useful applications and features. It was created with the millions of fans. For information visit www.miui.com/features.php

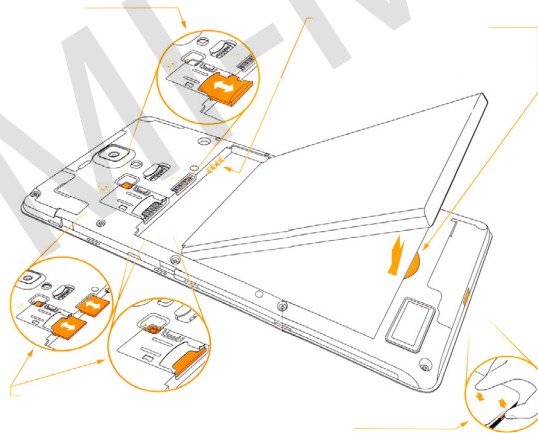
VIP users

Visit uvip.xiaomi.cn for your authorization as a

VIP user and enjoy all the special benefits and services.

Security: To update the phone system, please contact the individual official local Mi affiliates or use self-updating feature of Mi phone.

Scan QR code for ROM and instructions.



<http://xiaomi-mi.com>