

Audio 3.5 mm port

Camera



Volume buttons

On/Off button

Tasks

Back

Home

USB port

Inserting of SIM card

1. Remove a battery.
2. Insert SIM-card(s) into special slots.
3. Place an SD-card into the slot.
4. Set the battery.
5. Switch the phone on.

Thank you for choosing Redmi Note 2

To activate the smartphone, press the power button, which is located on the right side, and hold it for a few seconds. Then follow the setup instructions of your smartphone.

More information

To get more information visit xiaomi-mi.com

MIUI

Mi4c is equipped with an operating system, a collection of a variety of useful applications and features. It was created with the millions of fans. For information visit www.miui.com/features.php

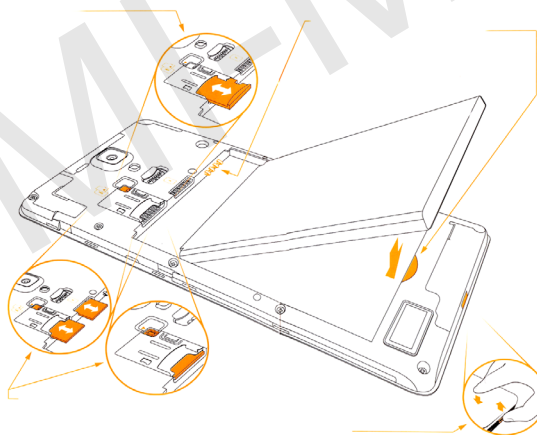
VIP users

Visit uvip.xiaomi.cn for your authorization as a

VIP user and enjoy all the special benefits and services.

Security: To update the phone system, please contact the individual official local Mi affiliates or use self-updating feature of Mi phone.

Scan QR code for ROM and instructions.



<http://xiaomi-mi.com>