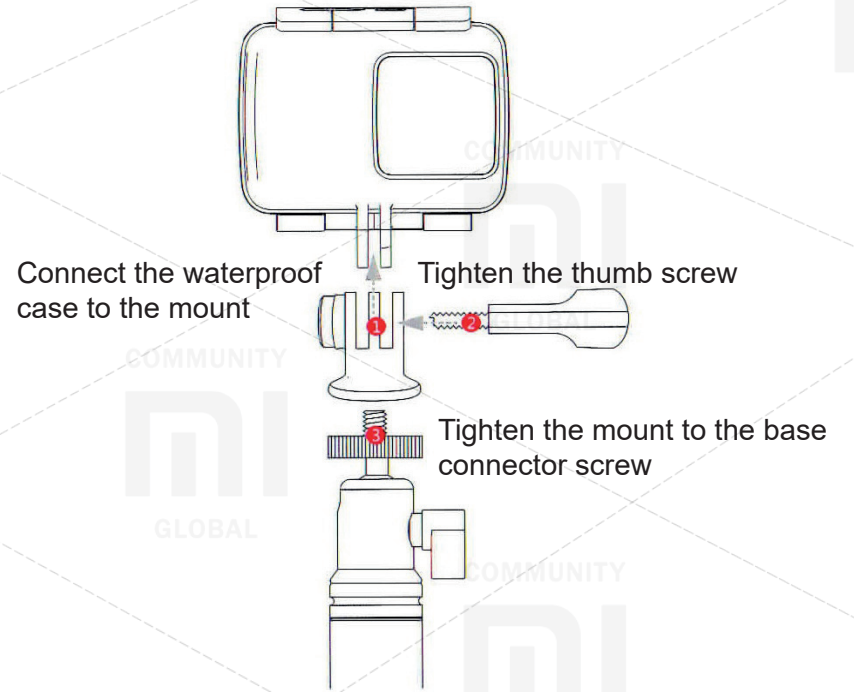


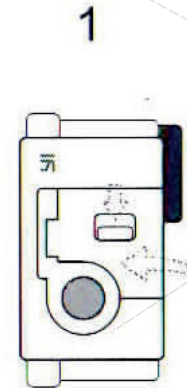


Thank you for choosing YI 4K Action Camera Waterproof Case

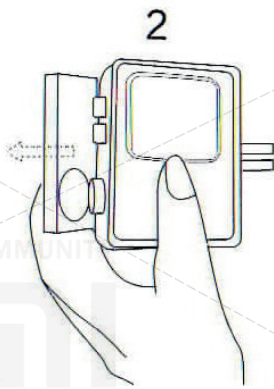
1. Mounting the waterproof case with selfie stick kit



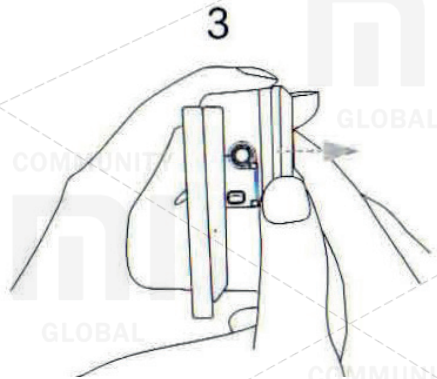
2. How to use the waterproof case



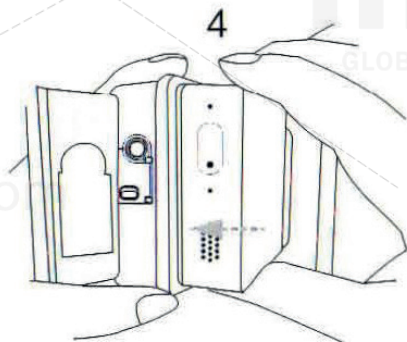
Slide the button downward, and pull the flap outward at the same time



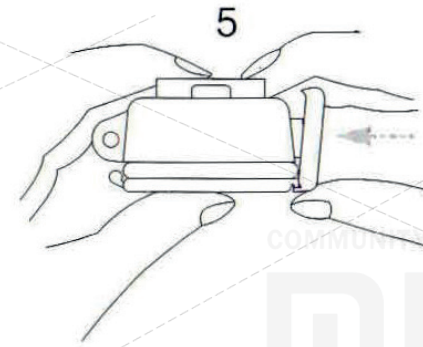
Push the flap down and out to unlatch the backdoor



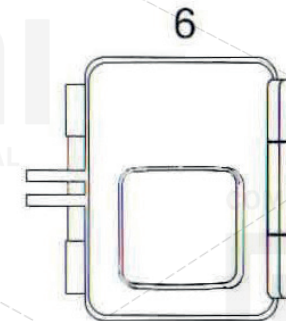
Pull the backdoor downward to open



Line camera lens and insert into the waterproof case until it fits snugly into the lens case



Close the backdoor and latch the flap on the edge of the backdoor. Press the loose end of the flap against the case to securely lock the case



The camera is now airtight fit inside the waterproof case

Tip : After using in salt water, safely remove the camera and wash the waterproof case with fresh water.

YI 4K Action Camera Waterproof Case;
Product Name: YI 4K Action Camera Waterproof Case;
Product Type: Z16FSK01;
Material: PC, Glass, Silicon;
Waterproof: up to depth of 40 meters;
Compatible With: YI 4K Action Camera;
Manufacturer: Xiaoyi Technology Co., Ltd.;
Address: 6F, Building E, 2889 Jinke Road, Pudong District, Shanghai, China;
Website: www.yitechnology.com;
Tel: +86- 21-61656722;
E-mail: support@yitechnology.com.

US VE2.1